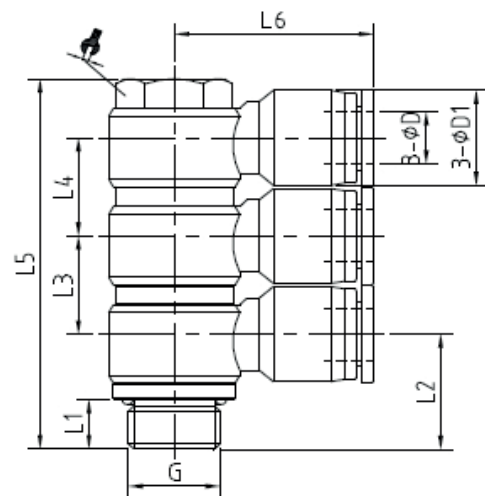




## RACCORDS INSTANTANÉS POLYMÈRES

### SÉRIE RP84 - RACCORD COUDÉ TRIPLE ORIENTABLE AVEC FILETAGE MÂLE BSP CYLINDRIQUE



Réf. Air-techniques	øD	G"	L1	L2	L3	L4	L5	L6	øD1		
RP831804	4	G1/8	5.5	14	15	15	53	23.5	11.5	12	10
RP831404	4	G1/4	7.5	17.3	15	15	56.3	25.5	11.5	14	10
RP831806	6	G1/8	5.5	14	15	15	53	23.5	13.5	12	10
RP831406	6	G1/4	7.5	17.3	15	15	56.3	25.4	13.5	14	10
RP833806	6	G3/8	7.5	19	15.7	15.7	64.4	29.5	13.5	19	10
RP831808	8	G1/8	5.5	15	15	15	53	26.5	15	12	10
RP831408	8	G1/4	7.5	18.3	15	15	56.3	29	15	14	10
RP833808	8	G3/8	7.5	19	15.7	15.7	64.4	30	15	19	10
RP831208	8	G1/2	10	24.5	21.5	21.5	82	32.5	15	24	10
RP831810	10	G1/8	5.5	16.8	19	19	61.5	30.5	19	12	10
RP831410	10	G1/4	7.5	20	21.5	21.5	69.3	32.5	19	14	10
RP833810	10	G3/8	7.5	21	21.5	21.5	75.4	33	19	19	10
RP831210	10	G1/2	10	25	21.5	21.5	82	36	19	24	10
RP831412	12	G1/4	7.5	21.5	21.5	21.5	69.3	33.5	21.5	14	10
RP833812	12	G3/8	7.5	22	21.5	21.5	75.4	35.5	21.5	19	10
RP831212	12	G1/2	10	26	21.5	21.5	82	36.5	21.5	24	10