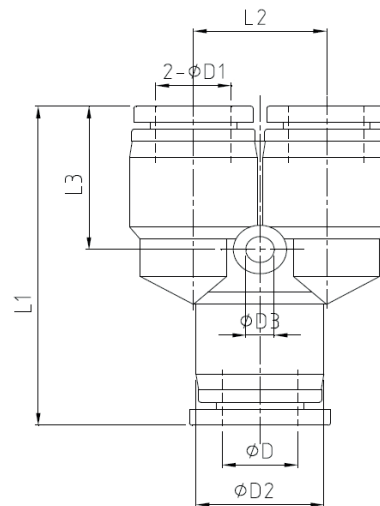



## RACCORDS INSTANTANÉS POLYMÈRES

### SÉRIE RP73 - RACCORD EN Y SIMPLE ET INÉGAL



Réf. Air-techniques	$\phi D$	$\phi D1$	$\phi D2$	$\phi D3$	L1	L2	L3	
RP730004	4	4	11.5	3.2	36.5	11	14.5	10
RP730006	6	6	13.5	3.2	37.5	13	15	10
RP730008	8	8	15	3.2	39.8	15	18	10
RP730010	10	10	19	4.2	50	18	21	10
RP730012	12	12	21.5	4.2	53	21	21.5	10
RP730604	6	4	13.5	3.2	37.5	13	15	10
RP730804	8	4	15	3.2	39.8	15	18	10
RP730806	8	6	15	3.2	39.8	15	18	10
RP731006	10	6	19	4.2	39.8	18	21	10
RP731008	10	8	19	4.2	50	18	21	10
RP731208	12	8	21.5	4.2	53	21	21.5	10
RP731210	12	12	21.5	4.2	53	21	21.5	10