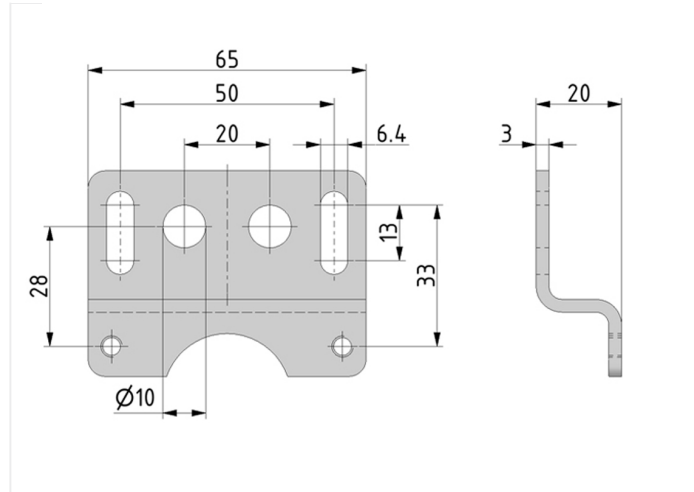
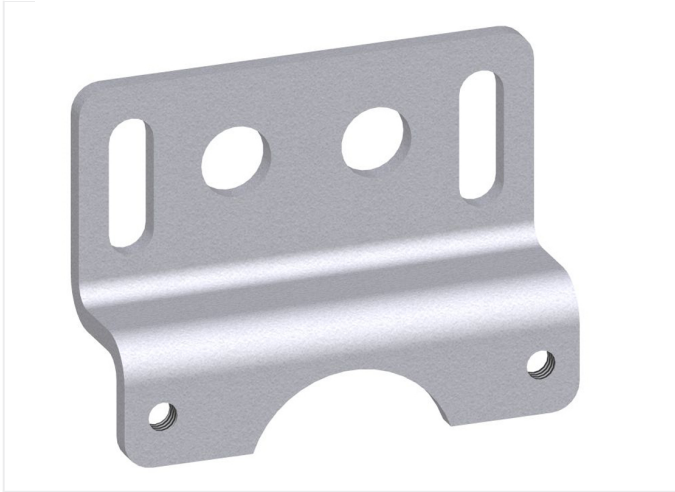


## Accessories of the Multi-Fix series

Mounting bracket (ZW.33+2x screw M5x75 DIN912)



type	part-number	series 2	series	weight
ZW.33-1	9.9733.00.002	Multi-Fix	BG3	0.101 kg

### technical data

- **description:** Mounting bracket
- **material:** steel galvanized
- **fixing:** mounting with 2 screws

### accessories