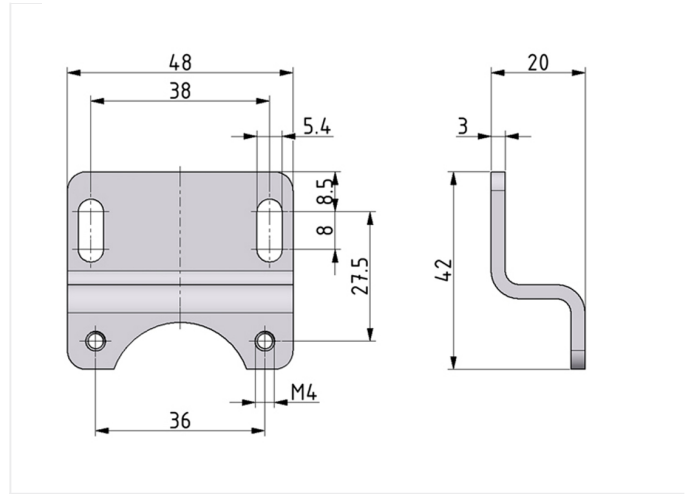


Accessories of the Multi-Fix series

Mounting bracket (ZW.11+2x screw M4x50 DIN912)



type	part-number	series 2	series	weight
ZW.11-1	9.9711.00.001	Multi-Fix	BG1	0.063 kg

technical data

- **description:** Mounting bracket
- **material:** steel galvanized
- **fixing:** mounting with 2 screws

accessories