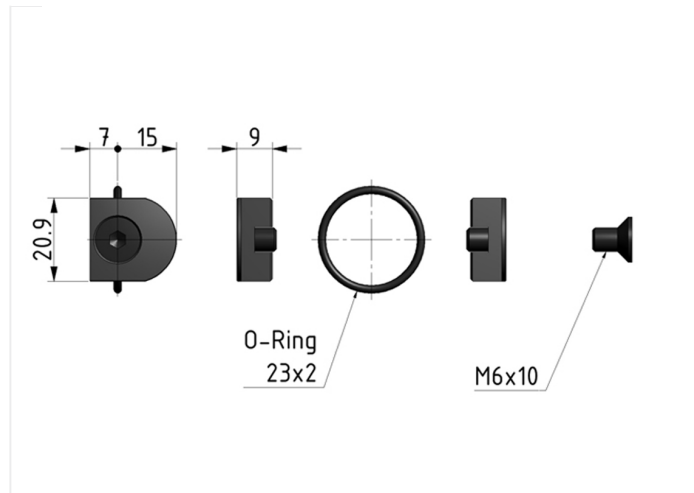
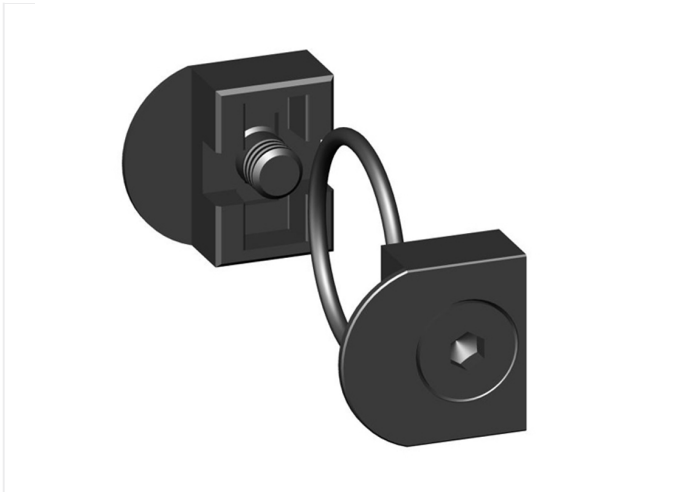


## Accessories of the Multi-Fix series

Coupling kit for distributore BG3 (2x clamp C.33-59; 2x screw C.11-46; 1x o-ring 23x2 C.33-53)



| type    | part-number   | series    | series | weight   |
|---------|---------------|-----------|--------|----------|
| KP.33 Z | 9.9933.00.018 | Multi-Fix | BG3    | 0.028 kg |

### technical data

- **description:** Coupling kit
- **fixing:** for distributor Z.33 to be connected with components of Multi-Fix series 3
- **material clamp:** Z 410
- **material screws:** steel
- **material o-ring:** NBR

### accessories