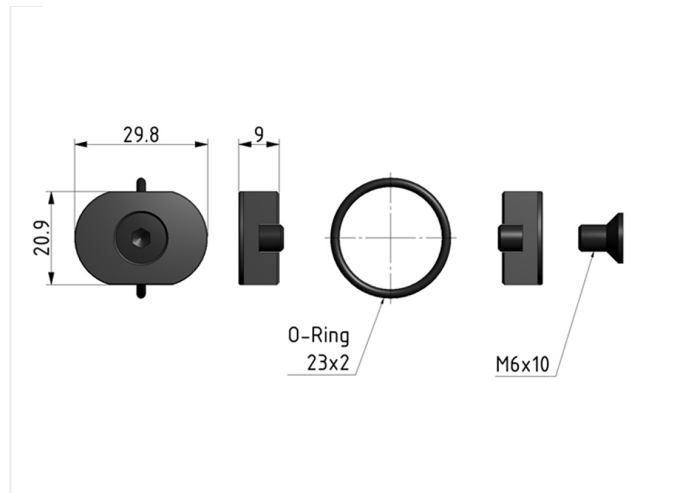
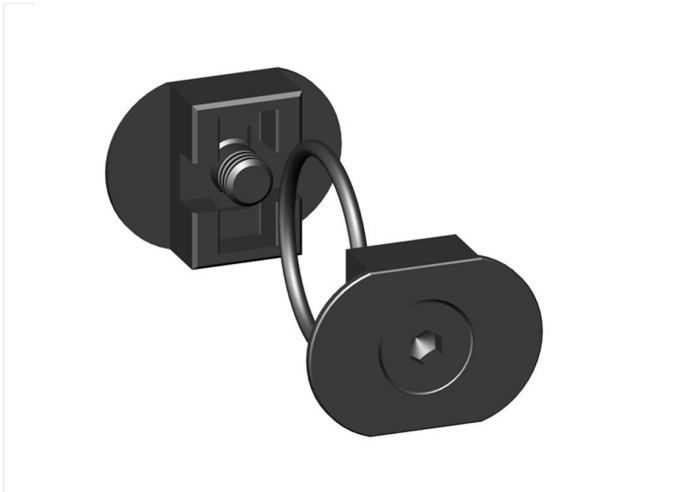


## Accessories of the Multi-Fix series

Coupling kit BG3 (2x clamp C.33-47; 2x screw C.11-46; 1x o-ring 23x2 C.33-53; 1x o-ring 29,87x1,78 K.33-3)



type	part-number	series	series	weight
KP.33	9.9933.00.000	Multi-Fix	BG3	0.029 kg

### technical data

- **description:** Coupling kit
- **fixing:** for components to be connected in Multi-Fix series 3
- **material clamp:** Z 410
- **material screws:** steel
- **material o-ring:** NBR
- **except:** distribution manifold block (narrow) Z.33

### accessories