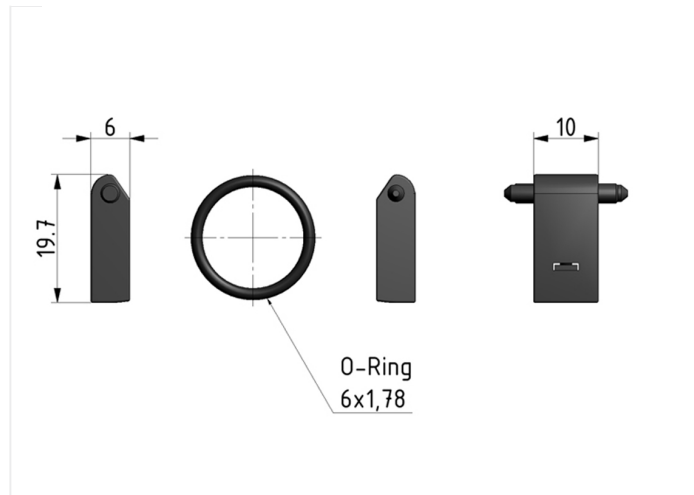


## Accessories of the Multi-Fix series

Coupling kit BG0 (2x clamp C.00-47; 1x o-ring 15,6x1,78 C.11-92)



type	part-number	series	series	weight
KP.00	9.9900.00.002	Multi-Fix	BG0	0.004 kg

### technical data

- **description:** Coupling kit
- **fixing:** for components to be connected in Multi-Fix series 0
- **material clamp:** PA
- **material o-ring:** NBR

### accessories