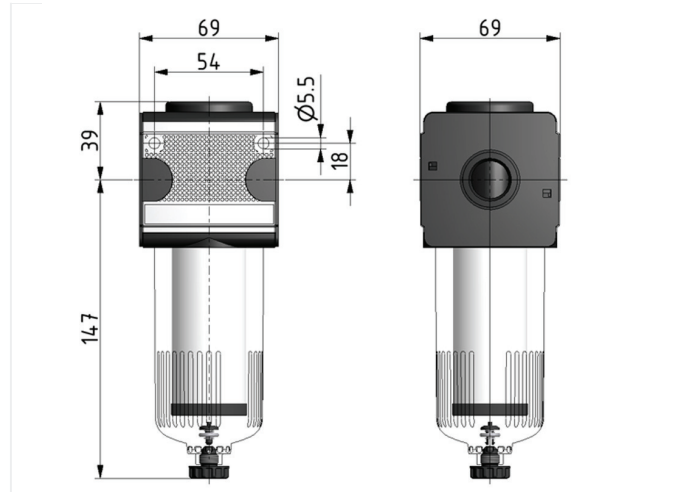


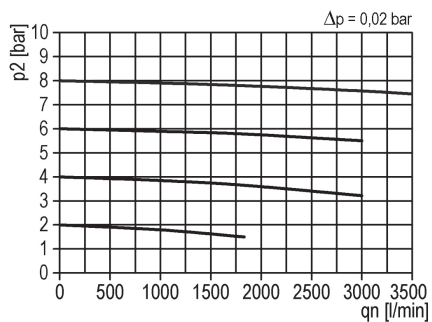
Filter of the Multi-Fix series

Prefilter G1/2 0,3µm (V38/100) with PC bowl and semi automatic drain

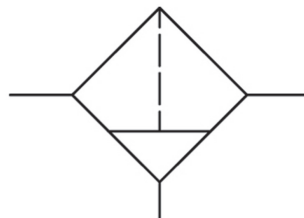


type	article-number	series	port size	flow rate	weight
FV.33 HA4	9.1333.901/1	Multi-Fix	G 1/2	500 l/min	0.759 kg

flow characteristic



symbol



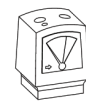
technical data

- **description:** prefilter
- **medium:** compressed air, neutral gases
- **supply pressure P1 min.:** 1,5 bar
- **supply pressure P1 max.:** 16 bar
- **temperature range:** 0 - 60°C
- **bowl:** PC
- **drain:** HA
- **mounting:** vertical
- **filter element:** 0,3 µm
- **particle separation:** > 0,3 µm 99,999%

accessories



- mounting bracket: [ZW.33-1](#)



- differential pressure display
- differential pressure gauge: [DM.2](#)