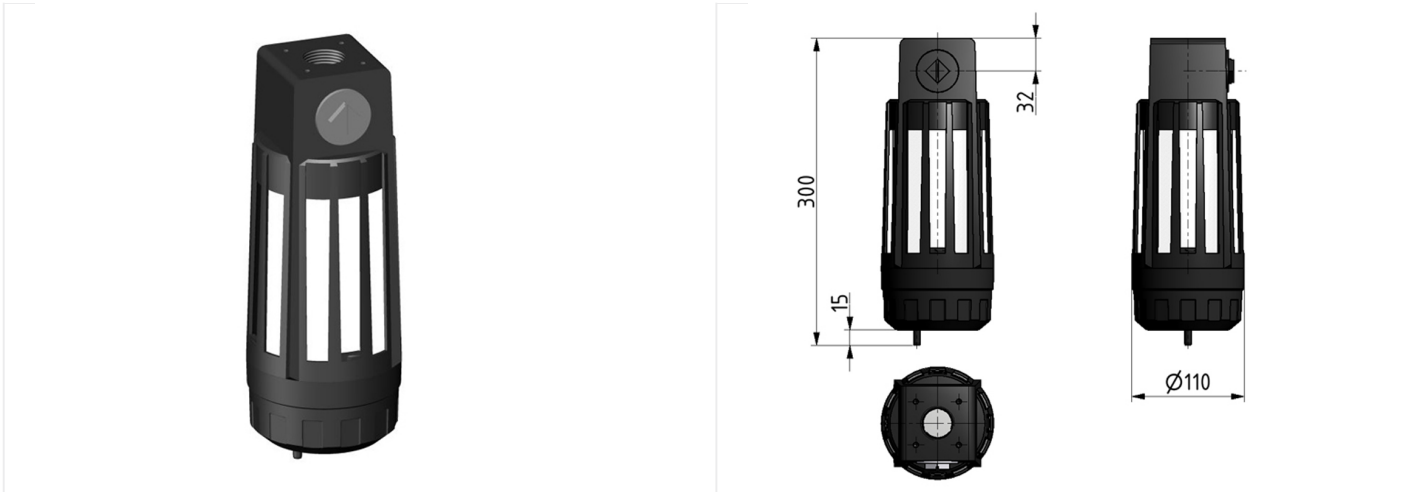


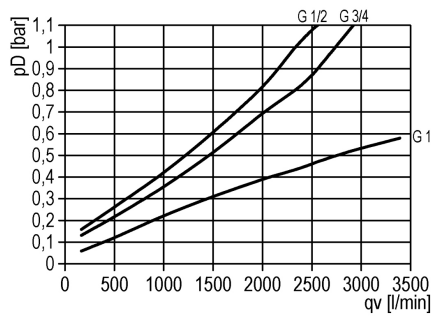
## Accessories of the Futura series

Filter silencer G1

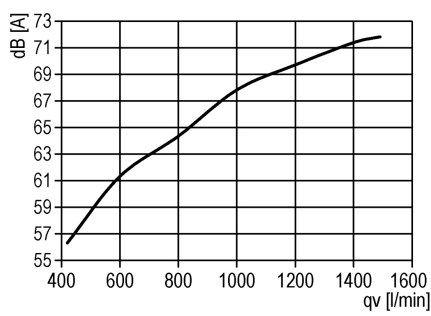


type	part-number	series 1	series 2	series 3	port size	weight
FSD.55	9.4055.00.700	Futura	Multi-Fix	Standard	G 1	1.276 kg

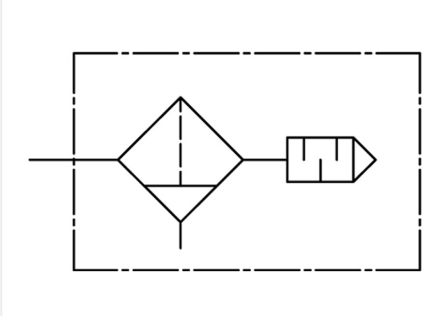
flow characteristic



noise expansion



symbol



#### technical data

- **description:** 3 graduated coalescence filter
- **supply pressure P1 max.:** 10 bar
- **temperature range:** 0 - 60°C
- **drain:** overflow for tube diameter inside  $\varnothing 6$
- **mounting:** vertically, connection thread on the top and on the side
- **residual oil concent:** 0,01 mg/m<sup>3</sup>
- **filter efficiency:** 99,99%
- **reduction of noise:** circa 40 dB (A) (at P1 = 5 bar; Q = 2000 l/min and 1 m distance)
- **filter change:** min. once in a year

#### accessories



- Befestigungswinkel  
BFSD.55-3