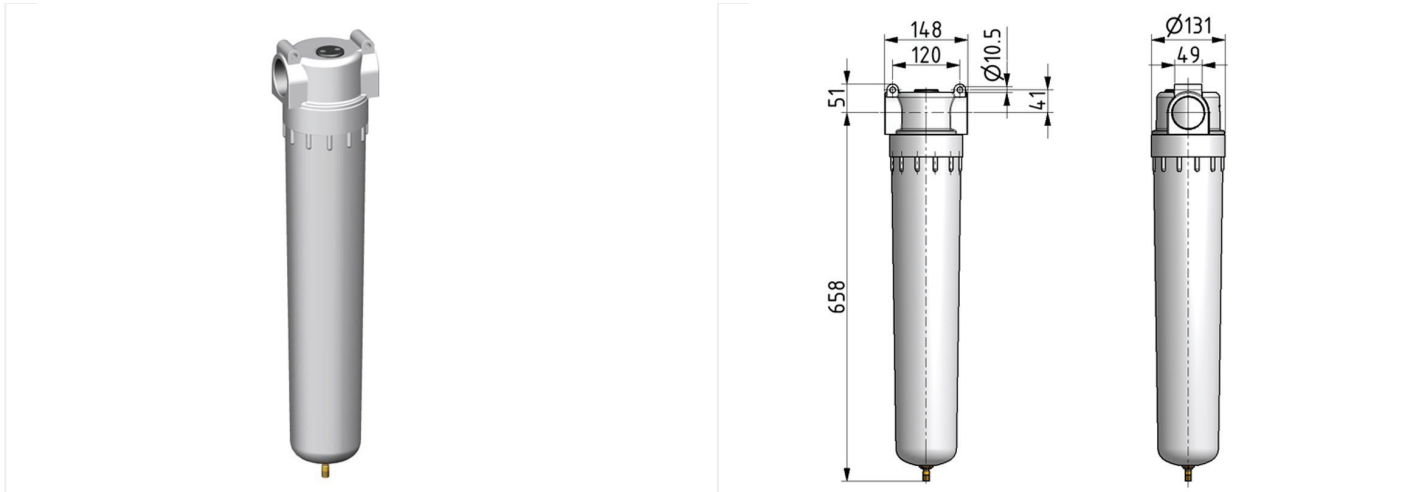


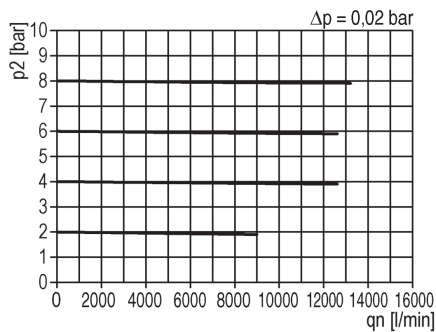
Filter of the Standard series

Prefilter G2 0,3µm with metal bowl and automatic drain

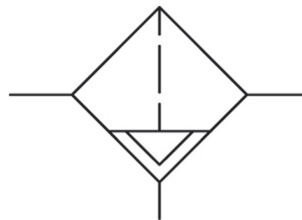


type	article-number	series	port size	flow rate	weight
DFV.88 M AM10	9.1188.00.914.0	Standard	G 2	7000 l/min	6.742 kg

flow characteristic



symbol



technical data

- **description:** prefilter
- **medium:** compressed air, neutral gases
- **supply pressure P1 min.:** 1,5 bar
- **supply pressure P1 max.:** 16 bar
- **temperature range:** 0 - 60°C
- **bowl:** metal bowl
- **drain:** AM NO
- **mounting:** vertical
- **filter element:** 0,3 µm
- **particle separation:** > 0,3 µm 99,999%

accessories



- differential pressure gauge:
[DM.2](#)