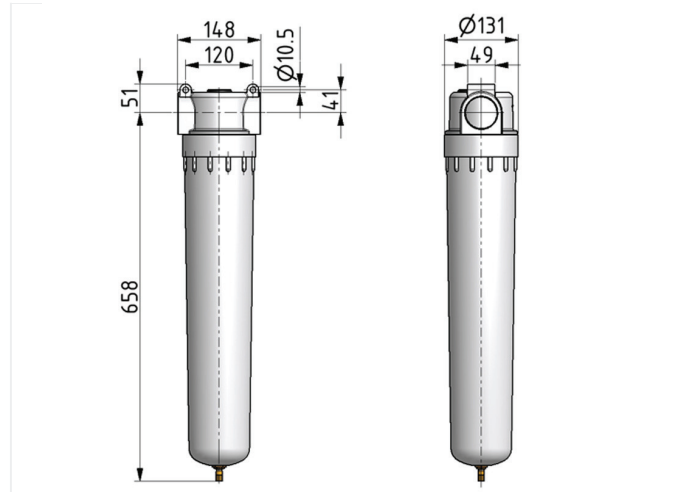


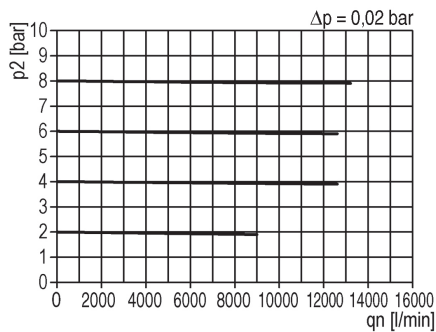
## Filter of the Standard series

Prefilter G1 1/2 0,3µm with metal bowl and automatic drain

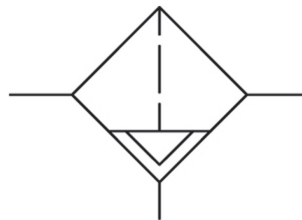


type	article-number	series	port size	flow rate	weight
DFV.87 M AM10	9.1187.00.914.0	Standard	G 1 1/2	7000 l/min	6.843 kg

### flow characteristic



### symbol



### technical data

- **description:** prefilter
- **medium:** compressed air, neutral gases
- **supply pressure P1 min.:** 1,5 bar
- **supply pressure P1 max.:** 16 bar
- **temperature range:** 0 - 60°C
- **bowl:** metal bowl
- **drain:** AM NO
- **mounting:** vertical
- **filter element:** 0,3 µm
- **particle separation:** > 0,3 µm 99,999%

### accessories



- differential pressure gauge:  
[DM.2](#)