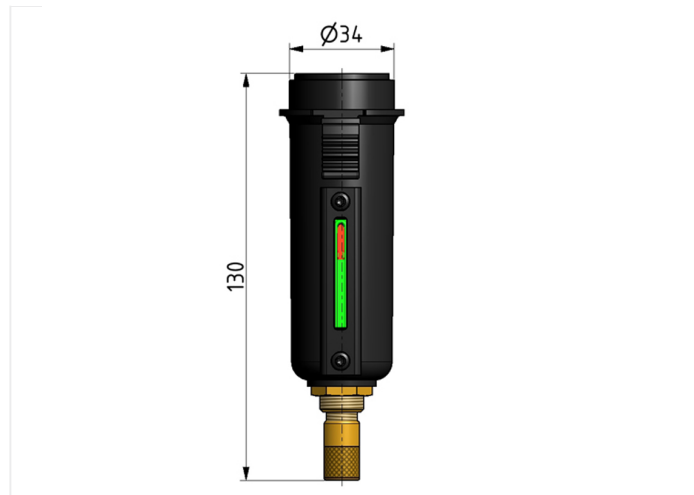


Accessories

Bowl metal/visual display with automatic drain and o-ring 30x2



type	part-number	series 2	series	weight
C.11 H AM10	8.2111.90.002	Multi-Fix	BG1	0.256 kg

technical data

- supply pressure P1 min.: 1,5 bar
- supply pressure P1 max.: 16 bar
- temperature range: 0 - 60°C
- bowl: metal bowl with level indicator
- drain: AM NO
- fixing: screw thread

accessories