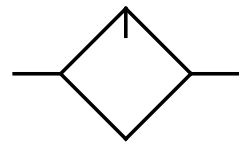


item	type	DO.33		
port size		G 1/2		
description		proportional lubricator		
mounting		vertically		
supply pressure		Pe max. 16 bar, Pe max. 25 bar with metal bowl		
media and ambient temperature		max. 60°C (other temperature ranges available upon request)		
bowl volume		135 cm ³		
oil dosage rate when qv=1000 l/min		1-2 drips/min (determining factor)		
kind of oil		CL 32 standardized to DIN 51517 - ISO VG 32		
fixing		bracket		
weight		0,75 kg		



replacement parts

no	description	material	order-no.
1	body	zinc - Z 410	---
2	oil filler screw L.33-8	POM - NBR	7.2533.08.000
3	oil bowl	polycarbonate	8.2333.24.000
4	dome assembly	PA	9.9911.00.017/V
5	O-ring 67,95 x 2,62 DF.33-23	NBR	1.1133.23.000



series 3

ordering information

DO. 33 *
 type
 port size option

ordering example: DO.33 M

port size	
1	33 G 1/2
options	
2	B bowl guard
	M metal bowl
	N electrical level control

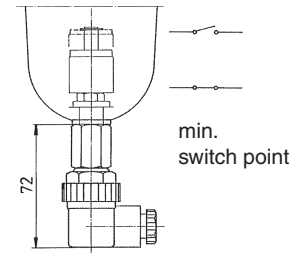
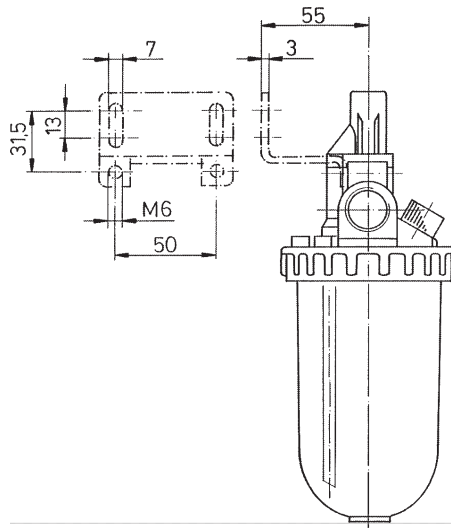
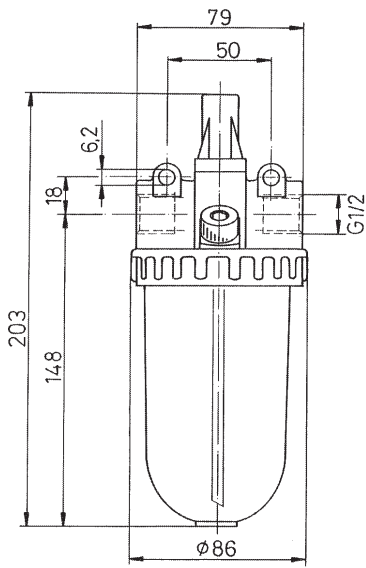
application information

– oil fill in is possible under pressure

technical modifications keep in reserve!

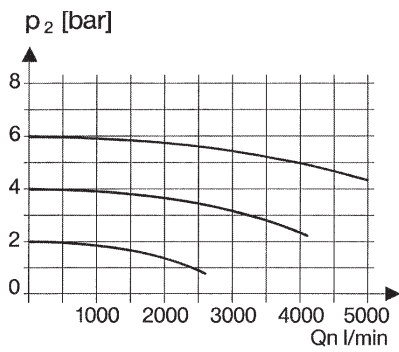
page: DO.33 (09/04)

dimensions (mm)

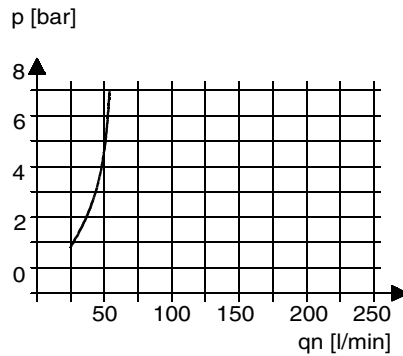


electrical level control
max. switch in power: 10 VA
supply schedule without plug

flow characteristics

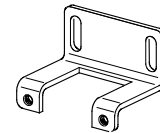


lubricator operating limit



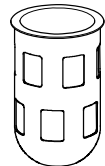
accessories

mounting bracket



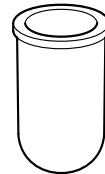
type: ZW.30

bowl guard



type: DF.33-11

metal bowl



type: DO.33 M