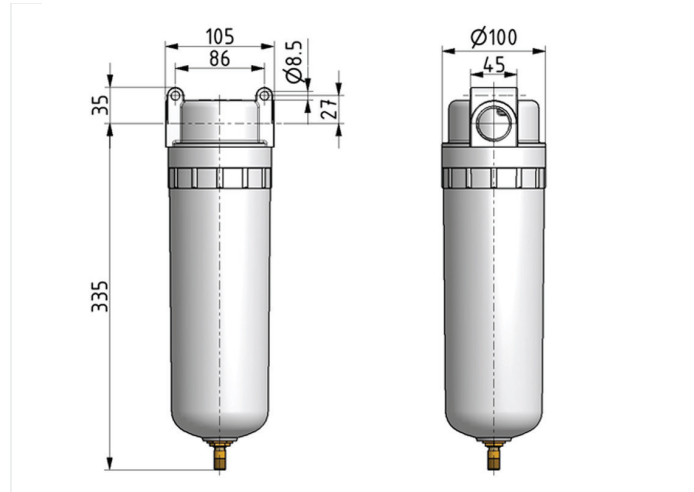


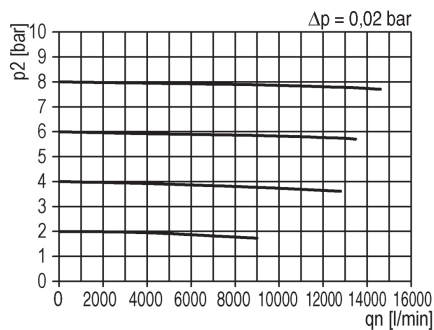
Filter of the Standard series

Prefilter G1 0,3µm with metal bowl and automatic drain

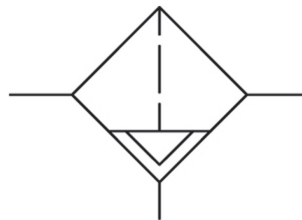


type	article-number	series	port size	flow rate	weight
DFV.55 M AM10	9.1155.00.908.0	Standard	G 1	3670 l/min	2.351 kg

flow characteristic



symbol



technical data

- **description:** prefilter
- **medium:** compressed air, neutral gases
- **supply pressure P1 min.:** 1,5 bar
- **supply pressure P1 max.:** 16 bar
- **temperature range:** 0 - 60°C
- **bowl:** metal bowl
- **drain:** AM NO
- **mounting:** vertical
- **filter element:** 0,3 µm
- **particle separation:** > 0,3 µm 99,999%

accessories